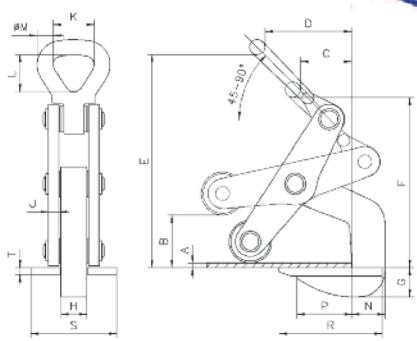


RH HORIZONTAL PLATE CLAMPS

** SOLD IN PAIRS*



Horizontal plate clamps

Working load limit (WLL) 1500 - 5000kg

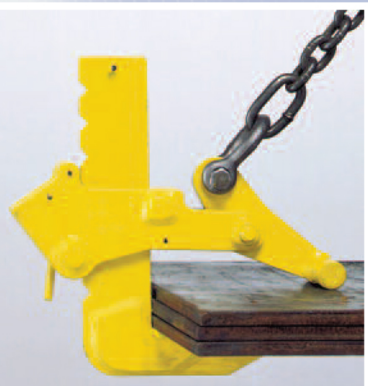
This range of horizontal plate clamps have been designed, to be used in pairs, for the horizontal transportation of individual, and bundled plate. The clamp is fitted with a steel roller to reduce any potential marking of the plate.

These clamps are sold, and must be used, in pairs.
NB: Always use with a two-legged chain sling (not supplied).

Model	WLL kg*	Jaw capacity mm	A mm	B mm	C mm	D mm	E mm	F mm	G mm	H mm	J mm	K mm	L mm	M mm	N mm	P mm	R mm	S mm	T mm
RH1500	1500	5 - 60	5	60	60	105	250	200	22	30	12	50	73	18	36	65	120	100	10
RH2500	2500	10 - 70	10	70	75	130	135	275	38	30	12	64	92	25	58	77	150	100	10
RH3500	3500	10 - 80	10	80	90	162	345	292	48	30	15	64	92	25	65	105	185	100	10
RH5000	5000	10 - 102	10	102	110	170	425	345	45	45	20	89	130	35	80	120	210	120	12

*Per pair. **Weight per pair of clamps without chains.

ACH 'ADJUSTABLE' HORIZONTAL PLATE CLAMPS



The ACH horizontal plate clamps offer superb flexibility because of the large adjustable jaw opening. The jaw is adjusted using a simple ratchet mechanism.

These clamps are to be used in pairs and are especially suited to the transportation of large plate bundles.



**Use spreader beams for larger plates*

Model	WLL kg*	Jaw capacity mm	Weight kg**
ACH 1300	1300	0 - 150	14
ACH 1300L	1300	0 - 250	17
ACH 3300	3300	0 - 150	25
ACH 3300L	3300	0 - 250	28
ACH 6650	6650	0 - 150	60
ACH 6650L	6650	0 - 250	64
ACH 10000	10000	50 - 300	82

*Per pair. **Weight per pair of clamps without chains.

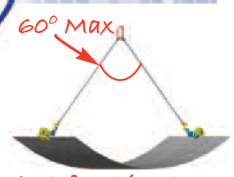
**Chain slings and shackle NOT included*

THK 'THIN SHEET' HORIZONTAL PLATE CLAMPS



The THK horizontal plate clamps share the same basic design features as the CH range of clamps but have a reversed tooth jaw design. This safety feature is designed for use with thin sheets which may have a tendency to deflect or sag or flex.

Suited to thin plate with a surface hardness less than 300 Brinell/32 Rockwell C.



**Ideal for thin sheet*

Model	WLL kg*	Jaw capacity mm	Weight kg**
THK 750	40 - 750	0 - 25	3
THK 1500	75 - 1500	0 - 35	6
THK 3000	150 - 3000	0 - 35	11
THK 4500	250 - 4500	0 - 45	16
THK 6000	300 - 6000	0 - 60	23
THK 9000	450 - 9000	0 - 60	35

*Per pair. **Weight per pair of clamps without chains.

**Shackle NOT included*