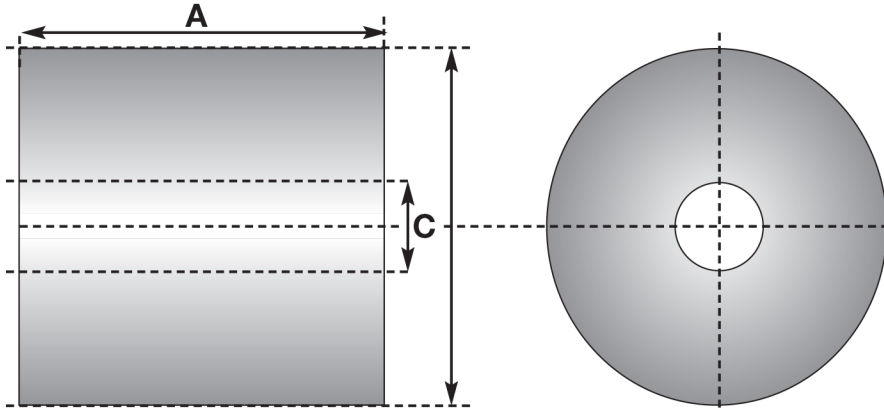


TCK 'SINGLE ARM' C-HOOKS



The Camlok TCK C-Hooks have been designed to safely and efficiently handle coils, rolls, rings, pipes, round stock and other similar loads.

Many features are available on C-hooks. When lifting collared or standard pipes, the optional backstop device can be positioned as far back as possible. If the lifting of shorter pipes is required the backstop can be adjusted accordingly. Loads that are longer, or exceed the specified working load limit, should not be lifted. Camlok uses the latest 3D CAD Design technology to quickly produce specific products tailored to our customers requirements. There are many additional options available including shaped tines and adjustable end-stops.



Load details: The more information you can provide the quicker a quote can be prepared. Please provide the Width (A) x Outside Dia. (B) x Inside Dia. (C)

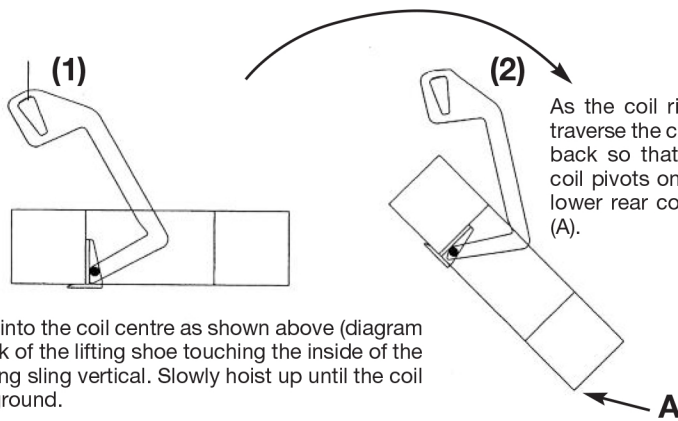


TCS 'UNIVERSAL' TURNING HOOKS



The TCS coil turning hooks are specifically designed to pick coils of steel or banding material etc when lying flat.

Once the turning hook is positioned and the crane hook is raised, the coil automatically transfers from the horizontal position to the vertical position. This allows for easy transportation and also allows for loading onto machines or racking.



Place the hook into the coil centre as shown above (diagram 1), with the back of the lifting shoe touching the inside of the coil and the lifting sling vertical. Slowly hoist up until the coil rises from the ground.

(3) Continue hoisting and traversing the crane until the coil is vertical. Take special care when the pivot point is below the cog of the coil, as the coil will topple back into the hook. If thin coils are lifted, then place the coil down on its edge and move the coil to the rear of the hook for transporting.

Model	WLL kg	Coil mm	Min. internal dia. mm	Weight kg
TCS 0.5 / 120	500	50 - 120	220	9
TCS 0.5 / 200	500	100 - 200	300	10
TCS 1.0 / 200	1000	100 - 200	300	13
TCS 1.0 / 300	1000	200 - 300	400	15
TCS 2.0 / 200	2000	100 - 200	300	21
TCS 2.0 / 300	2000	200 - 300	400	23
TCS 3.0 / 200	3000	100 - 200	300	34
TCS 3.0 / 300	3000	200 - 300	400	39