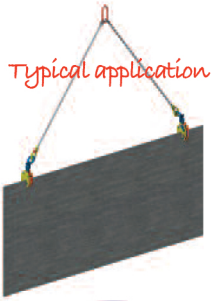


# CY 'HINGED' VERTICAL PLATE CLAMPS

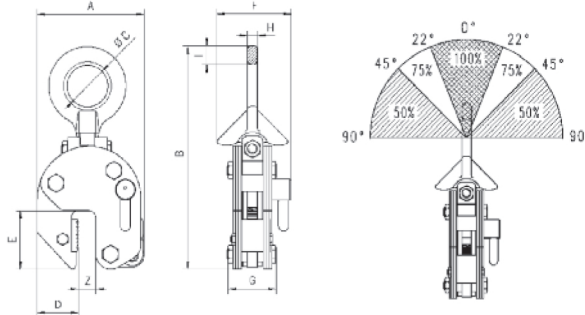


The CY plate clamps with hinged hook rings can be used for the safe handling of plate at various angles. It can lift plate from the horizontal and put it down in the vertical. The hinged hook ring ensures adequate gripping pressure in every position, but the load capacity reduces. See the diagram below showing the load / force capacities.

The main benefit of the CY hinged plate clamps is that longer plates can be lifted or handled, using two clamps on a two legged chain sling (as shown in illustration), thus eliminating the need for a spreader beam.



**NB:** The plate surface of the material being clamped must have a hardness level below HRC 30/Brinell 300.



Model	WLL kg*	Jaw (Z) capacity mm	A mm	B mm	C mm	D mm	E mm	F mm	G mm	H mm	I mm
CY1	100 - 1000	0 - 20	126	270	50	49	70	95	63	12	23
CY2	200 - 2000	0 - 32	192	382	80	75	96	132	92	20	30
CY3	300 - 3000	0 - 32	192	382	80	75	96	132	92	20	30

\*Per clamp.

\*\*Weight per clamp without chains.

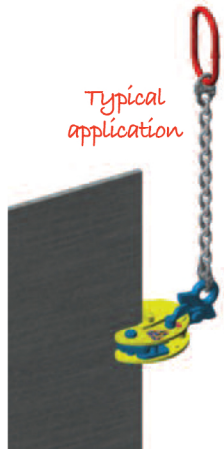
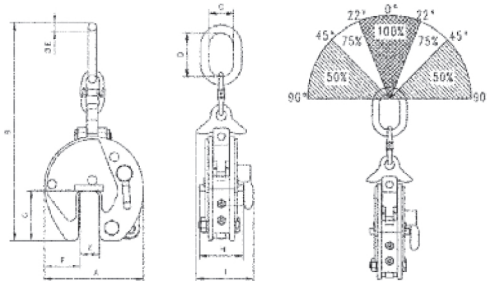
# CX 'HINGED' VERTICAL PLATE CLAMPS (HEAVY DUTY - SIDE LOADING)



The CX plate clamps shares all the benefits of the CY clamps, but are specifically designed for more heavy duty applications.

The other benefit that the CX clamps offers over the CY clamps is that vertically racked plates can be turned through 90° (as shown in illustration).

**NB:** The plate surface of the material being clamped must have a hardness level below HRC 30/Brinell 300.



Model	WLL kg*	Jaw (Z) capacity mm	A mm	B mm	C mm	D mm	E mm	F mm	G mm	H mm	I mm	Weight kg**
CX1500	220 - 1500	0 - 20	140	399	63	125	12.5	48	70	57	83	7
CX3000	450 - 3000	0 - 32	197	515	67	138	19	68	93	81	110	12
CX3000L	450 - 3000	30 - 60	227	515	67	138	19	68	93	81	110	15
CX6000	1200 - 6000	0 - 50	292	737	95	176	28	95	143	137	188	38
CX6000L	1200 - 6000	50 - 100	367	785	98	180	28	115	143	135	188	48
CX8000	1600 - 8000	0 - 50	292	737	98	176	28	95	143	136	210	39
CX8000L	1600 - 8000	50 - 100	367	785	98	180	28	115	143	136	210	51
CX10000	2000 - 10000	0 - 50	360	903	110	195	33	125	162	170	223	61
CX10000L	2000 - 10000	50 - 100	446	921	112	195	33	168	162	170	223	76

\*Per clamp.

\*\*Weight per clamp without chains.