

# HG 'HIGH GRIP' VERTICAL PLATE CLAMPS



## Vertical 'high grip' plate clamps for hardened material

Working load limit (WLL) 500 - 4000kg

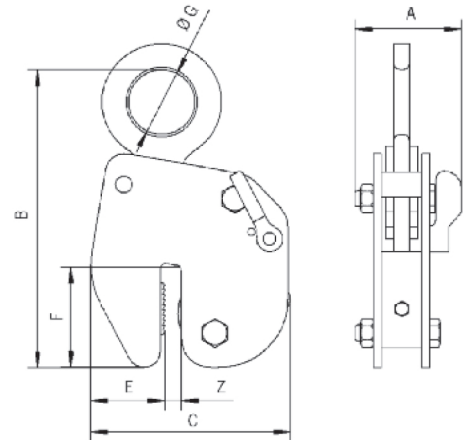
HG plate clamps have an extremely high clamping force which makes the clamps particularly suited to the transport of plate with a surface hardness up to HRC 40/Brinell 375.

### Function

These clamps are opened and closed with a locking lever. The safety lock spring loads the cam jaw, preventing the clamp from opening even when there is no load on the jaw.

### Workmanship and parts

These plate clamps are service-friendly, making it easy to exchange parts, which are readily available. Clamp repairs are available through the factory, or can be done by a competent person.



Model	WLL kg*	Jaw (Z) capacity mm	A mm	B mm	C mm	D mm	E mm	F mm	G mm	Weight kg**
HG500	25 - 500	0 - 10	42	230	148	10	55	79	50	5
HG1000	50 - 1000	0 - 16	93	297	210	16	75	114	67	12
HG2000	200 - 2000	0 - 20	110	416	305	20	102	159	80	22

\*Per clamp.

\*\*Weight per clamp.

# TJC 'TWIN JAW' VERTICAL PLATE CLAMPS



The TJC twin jaw vertical plate clamps have been specifically designed for lifting materials with low minimum weight, but large thickness. The main difference between the TJC and the CZ (which is our standard vertical plate clamp) is that the TJC has a unique twin moving jaw arrangement.

**NB: The plate surface of the material being clamped must have a hardness level below HRC 30/Brinell 300.**

Model	WLL kg*	Jaw capacity mm	Weight kg**
TJC300	20 - 300	0 - 30	3
TJC300L	20 - 300	30 - 60	3
TJC300XL	20 - 300	60 - 90	4
TJC300XXL	20 - 300	80 - 110	5

Please contact our sales team for full technical drawings if required.

\*Per clamp. \*\*Weight per clamp.