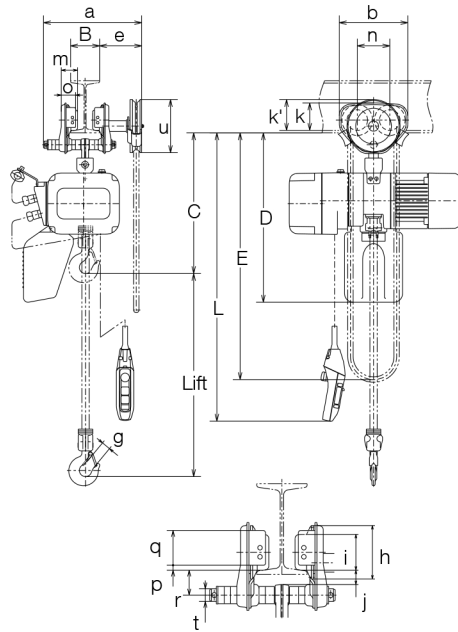


ER2SG Single Speed

With Geared Trolley



- Standard length of power supply cable is five meters.
- Optional length of lift, push button cord and power supply cable besides standard is available on your request.
- Extending the load chain is prohibited with additional links.
- Steel chain containers are available as option as shown in Section of "Chain Containers" if your lift is more than capacity of the standard container volume.

Specifications

| Capacity (t) | Product Code | Hoist Body | Standard Lift (m) | ER2 | | | | | | TSG | | | | Test Load (t) | Net Weight (kg) | Additional Weight per 1m Lift (kg) | | |
|--------------|--------------|------------|-------------------|---------------|--------------|-----------------------|------------|---------------|-------------|------------------------------|--------------------------------|---------------------|------------|---------------|-----------------|------------------------------------|------------------------|----------|
| | | | | Lifting Motor | | Lifting Speed (m/min) | | Load Chain | | Classification ISO/FEM /ASME | Folded Hand Chain Length E (m) | Flange Width B (mm) | | | | | Min. Radius Curve (mm) | |
| | | | | Output (kW) | Rating (%ED) | 50Hz | 60Hz | Diameter (mm) | Chain Falls | | | Standard | Option | | | | | |
| 125kg | ER2SG001H | B | 3 | 0.56 | 60 | 14.1 | 16.9 | ø4.3 x 1 | M5/2m /H4 | 2.8 | 58 to 127 | 128 to 203 | 204 to 305 | 1300 | 156kg | 40 | 1.4 | |
| 250kg | ER2SG003S | | | | | 9.1 | 10.9 | | | | | | | | | | | ø6.0 x 1 |
| | ER2SG003H | 13.4 | 16.1 | ø7.7 x 1 | M4/1Am /H4 | 82 to 153 | 154 to 305 | 1500 | 2.5 | 625kg | 50 | | | | | | | |
| 500kg | ER2SG005L | C | 3 | | | | | | | | | 0.56 | 60 | 3.8 | 4.6 | ø6.0 x 1 | M5/2m /H4 | 2.8 |
| | ER2SG005S | D | 0.9 | 60 | 7.3 | 8.8 | ø7.7 x 1 | M5/2m /H4 | 2.8 | 58 to 127 | 128 to 203 | 204 to 305 | 1300 | 625kg | 50 | | | |
| 1 | ER2SG010L | | D | 3 | 0.9 | 60 | | | | | | | | | | 3.5 | 4.2 | ø7.7 x 1 |
| | ER2SG010S | 7.1 | | | | | 8.5 | ø10.2 x 1 | M4/1Am /H4 | 82 to 153 | 154 to 305 | 1500 | 2.5 | 625kg | 50 | | | |
| 1.5 | ER2SG015S | E | 3 | 1.8 | 60 | 4.5 | 5.4 | | | | | | | | | ø10.2 x 1 | M4/1Am /H4 | 2.8 |
| | ER2SG020L | | | | | E | 3 | 1.8 | 60 | 3.7 | 4.4 | ø10.2 x 1 | M4/1Am /H4 | 2.8 | 58 to 127 | | | |
| | ER2SG020S | 7.0 | 8.4 | ø11.2 x 1 | M4/1Am /H4 | | | | | 82 to 153 | 154 to 305 | | | | | 1500 | 2.5 | 625kg |
| 2.5 | ER2SG025S | F | 3 | | | 3.5 | 60 | 5.7 | 6.8 | | | ø11.2 x 1 | M4/1Am /H4 | 2.8 | 58 to 127 | | | |
| | ER2SG030S | E | 3 | 3.5 | 60 | 4.4 | 5.3 | ø10.2 x 2 | M4/1Am /H4 | 2.8 | 58 to 127 | | | | | 128 to 203 | 204 to 305 | 1300 |
| 5 | ER2SG050S | F | 3 | 3.5 | 60 | 2.9 | 3.5 | | | | | ø11.2 x 2 | M4/1Am /H4 | 2.8 | 58 to 127 | | | |
| | ER2SG050S | F | 3 | 3.5 | 60 | 2.9 | 3.5 | ø11.2 x 2 | M4/1Am /H4 | 2.8 | 58 to 127 | | | | | 128 to 203 | 204 to 305 | 1300 |

Dimensions (mm)

| Capacity (t) | Product Code | Headroom C | D | a | b | e | g | h | i | j | k | k' | m | n | o | p | q | r | t | u |
|--------------|--------------|------------|-----|-----|-----|-----|---|-----|-----|-----|-----|-----|-----|-----|-----|----|-----|-----|----|----|
| 125kg | ER2SG001H | 415 | 490 | | | | | | | | | | | | | | | | | |
| 250kg | ER2SG003S | | | | | | | | | | | | | | | | | | | |
| 500kg | ER2SG005L | 435 | 550 | 345 | 236 | 152 | | 106 | 71 | 28 | 95 | 107 | 56 | 112 | 50 | | 69 | 50 | 25 | |
| | ER2SG005S | | | | | | | | | | | | | | | | | | | |
| 1 | ER2SG010L | 470 | 590 | | | | | | | | | | | | | | | | | |
| | ER2SG010S | | | | | | | | | | | | | | | | | | | |
| 1.5 | ER2SG015S | 570 | | | | | | 34 | | | | | | | | | | | | |
| 2 | ER2SG020L | 635 | 690 | 385 | 280 | 154 | | 127 | 85 | 34 | 112 | 109 | 71 | 131 | 63 | | 83 | 62 | 32 | |
| | ER2SG020S | 650 | | | | | | 39 | | | | | | | | | | | | |
| 2.5 | ER2SG025S | 680 | 890 | 398 | 324 | 157 | | 148 | 100 | 36 | 134 | 115 | 80 | 152 | 74 | | 102 | 68 | 36 | |
| 3 | ER2SG030S | 780 | 910 | | | | | | | | | | | | | | | | | |
| 5 | ER2SG050S | 840 | | 401 | 400 | 156 | | 47 | 169 | 118 | 46 | 144 | 131 | 81 | 178 | 70 | | 104 | 88 | 54 |