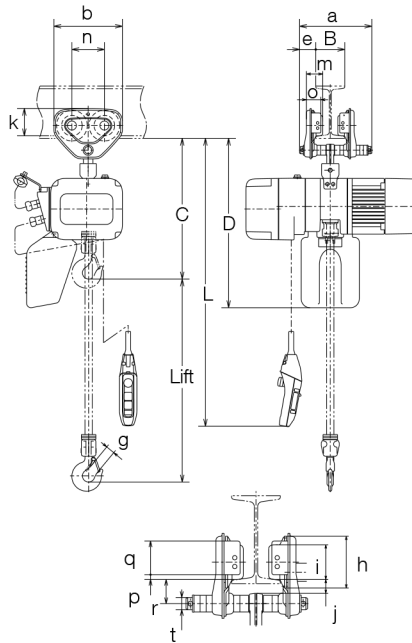


ER2SP Single Speed

With Plain Trolley



- Standard length of power supply cable is five meters.
- Optional length of lift, push button cord and power supply cable besides standard is available on your request.
- Extending the load chain is prohibited with additional links.
- Steel chain containers are available as option as shown in Section of "Chain Containers" if your lift is more than capacity of the standard container volume.
- The hoist direction to a beam for 3 t or 5 t is different 90 degrees.

Specifications

Capacity (t)	Product Code	ER2							TSP				Test Load (t)	Net Weight (kg)	Additional Weight per 1m Lift (kg)	
		Hoist Body	Standard Lift (m)	Lifting Motor		Lifting Speed (m/min)		Load Chain Diameter (mm) x Chain Falls	Classification ISO/FEM/ASME	Flange Width B (mm)						Min. Radius Curve (mm)
				Output (kW)	Rating (%ED)	50Hz	60Hz			Standard	Option W20 (203mm) W30 (305mm)					
125kg	ER2SP001H	B	3	0.56	60	14.1	16.9	ø4.3 x 1	M5/2m/H4	50 to 102	103 to 203	204 to 305	1100	1.56kg	32	0.42
250kg	ER2SP003S					9.1	10.9									
	ER2SP003H	0.9	13.4	16.1	ø6.0 x 1	M5/2m/H4	50 to 102	103 to 203	204 to 305	1100	1.56kg	38	0.81			
500kg	ER2SP005L	C	3	0.56										60	3.8	4.6
	ER2SP005S	D		0.9	7.3	8.8	ø7.7 x 1	M5/2m/H4	50 to 102	103 to 203	204 to 305	1100	625kg		38	0.81
1	ER2SP010L		D	3	60	3.5								4.2		
	ER2SP010S	7.1				8.5	ø7.7 x 1	M5/2m/H4	50 to 102	103 to 203	204 to 305	1100	1.25	55	1.33	
1.5	ER2SP015S	E	3	1.8	60	4.5										5.4
2	ER2SP020L					E	3	1.8	60	3.7	4.4	ø10.2 x 1	M4/1Am/H4	50 to 102	103 to 203	204 to 305
	ER2SP020S	7.0	8.4	ø10.2 x 1	M4/1Am/H4					50 to 102	103 to 203					
2.5	ER2SP025S	F	3			3.5	60	5.7	6.8			ø11.2 x 1	M4/1Am/H4	50 to 102	103 to 203	204 to 305
3	ER2SP030S	E		4.4	5.3			ø11.2 x 1	M4/1Am/H4	50 to 102	103 to 203					
5	ER2SP050S	F	3	3.5	60	2.9	3.5					ø11.2 x 2	M4/1Am/H4	50 to 102	103 to 203	204 to 305
						100 to 178	179 to 305	2300	6.25	182	5.6					

Dimensions (mm)

Capacity (t)	Product Code	Headroom C	D	a	b	e	g	h	i	j	k	m	n	o	p	q	r	t
125kg	ER2SP001H	395	470															
250kg	ER2SP003S																	
	ER2SP003H			204	182	46	27	82	60	21	76	47.5	84	42		54	38	22
500kg	ER2SP005L	415	530															
	ER2SP005S																	
1	ER2SP010L	470	590	249	236	56	31	106	71	28	95	56	112	50	10	69	50	25
	ER2SP010S																	
1.5	ER2SP015S	570					34											
2	ER2SP020L	635	690	300	280	69	39	127	85	34	112	71	131	63		83	62	32
	ER2SP020S	650																
2.5	ER2SP025S	680	890	320	324	79	44	148	100	36	134	80	152	74		102	68	36
3	ER2SP030S	780																
5	ER2SP050S	840	910	297	400	53	47	169	118	46	144	81	178	70		104	88	54