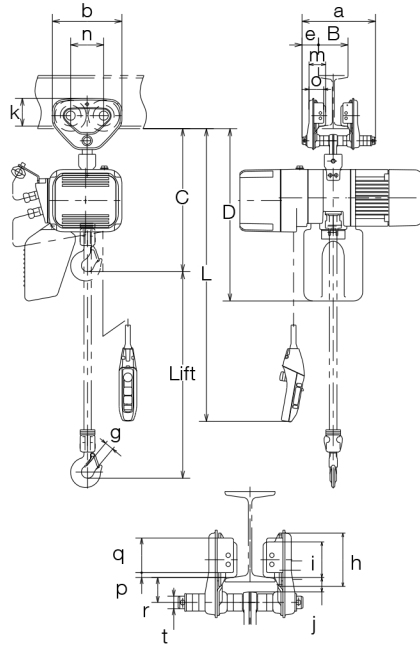


ER2SP Dual Speed inverter

With Plain Trolley



- Standard length of power supply cable is five meters.
- Optional length of lift, push button cord and power supply cable besides standard is available on your request.
- Extending the load chain is prohibited with additional links.
- Steel chain containers are available as option as shown in Section of "Chain Containers" if your lift is more than capacity of the standard container volume.
- The hoist direction to a beam for 3 t or 5 t is different 90 degrees.
- Lifting Speed in catalogue is at the rated load. It may vary depending on actual load.

Specifications

Capacity (t)	Product Code	Hoist Body	Standard Lift (m)	ER2						TSP			Test Load (t)	Net Weight (kg)	Additional Weight per 1m Lift (kg)	
				Lifting Motor		Lifting Speed (m/min)*		Load Chain	Classification ISO/FEM /ASME	Flange Width B (mm)		Min. Radius Curve (mm)				
				Output (kW)	Rating (%ED)	50/60Hz	High			Low	Diameter (mm) x Chain Falls					Standard
125kg	ER2SP001IH	B	3	0.56	40/20	Preset	16.6	2.8	ø4.3 x 1	M6/3m /H4	50 to 102	103 to 203	1100	156kg	32	0.42
250kg	ER2SP003IS					Adjustable	10.8	1.8								
	ER2SP003IH	C	3	0.9	40/20	Preset	15.7	2.6	ø6.0 x 1	M5/2m /H4	58 to 127	128 to 203	1300	313kg	41	0.81
500kg	ER2SP005IL					Adjustable	4.5	0.8								
	ER2SP005IS	D	3	0.9	40/20	Preset	8.5	1.4	ø7.7 x 1	M4/1Am /H4	82 to 153	154 to 305	1500	625kg	37	0.81
1	ER2SP010IL					Adjustable	4.2	0.7								
	ER2SP010IS	E	3	1.8	40/20	Preset	8.2	1.4	ø10.2 x 1	M4/1Am /H4	100 to 178	179 to 305	2300	1.25	53	1.33
1.5	ER2SP015IS					Adjustable	5.3	0.9								
	2	ER2SP020IL	E	3	1.8	40/20	Preset	4.3	0.7	ø11.2 x 1	M4/1Am /H4	100 to 178	179 to 305	2300	1.88	85
2.5		ER2SP020IS					Adjustable	4.3	0.4							
	2.5	ER2SP025IS	F	3	3.5	40/20	Preset	8.2	1.4	ø10.2 x 2	M4/1Am /H4	100 to 178	179 to 305	2300	2.5	86
3		ER2SP030IS					Adjustable	8.2	0.7							
	3	ER2SP030IS	E	3	3.5	40/20	Preset	6.6	1.1	ø11.2 x 2	M4/1Am /H4	100 to 178	179 to 305	2300	3.13	124
5							ER2SP050IS	Adjustable	6.6							
	5	ER2SP050IS	F	3	3.5	40/20		Preset	5.2	0.9	ø10.2 x 2	M4/1Am /H4	100 to 178	179 to 305	2300	3.75
5							ER2SP050IS	Adjustable	5.2	0.4						
	5	ER2SP050IS	F	3	3.5	40/20		Preset	3.3	0.6	ø11.2 x 2	M4/1Am /H4	100 to 178	179 to 305	2300	6.25
5							ER2SP050IS	Adjustable	3.3	0.3						

Note: The high speed is preset to the maximum speed in KITO factory. The speeds are adjustable between High and Low.

Dimensions (mm)

Capacity (t)	Product Code	Headroom C	D	a	b	e	g	h	i	j	k	m	n	o	p	q	r	t
125kg	ER2SP001IH	395	470															
250kg	ER2SP003IS																	
	ER2SP003IH			204	182	46	27	82	60	21	76	47.5	84	42		54	38	22
500kg	ER2SP005IL	415	530															
	ER2SP005IS																	
1	ER2SP010IL	470	590	249	236	56	31	106	71	28	95	56	112	50	10	69	50	25
	ER2SP010IS																	
1.5	ER2SP015IS	570					34											
	ER2SP020IL	635	690	300	280	69		127	85	34	112	71	131	63		83	62	32
ER2SP020IS	650					39												
2.5	ER2SP025IS	680	890															
3	ER2SP030IS	780	910	320	324	79		148	100	36	134	80	152	74		102	68	36
								44										
5	ER2SP050IS	840		297	400	53	47	169	118	46	144	81	178	70		104	88	54