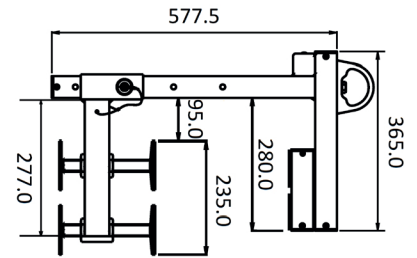




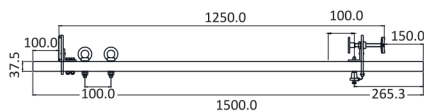
FA 60 010 00



REF.	FA 60 010 00
CE UK CA	EN 795 Type B
	x1
MAT.	
R (kN) / MBS (kN)	12 kN / 23 kN
	--- 60 mm → 320 mm
	9.6 KG



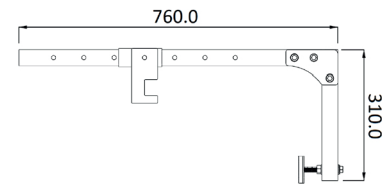
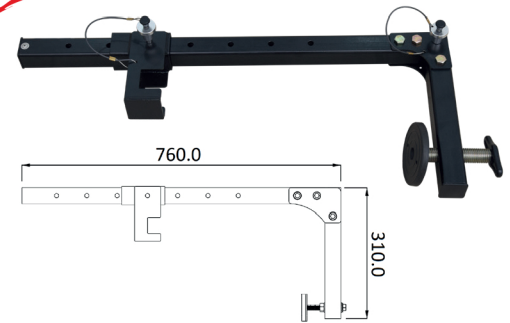
FA 60 015 00



Door anchor bag included



FA 60 015 01



REF.	FA 60 015 00	FA 60 015 01
CE UK CA	EN 795 Type B TS 16415 Type B	---
	x2	x2
MAT.		
R (kN) / MBS (kN)	13 kN / 20 kN	---
	--- 600 mm → 1250 mm	--- 85 mm → 550 mm
	4.75 KG	6.28 KG



FA 60 015 00 + FA 60 015 01