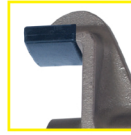


FA 60 008 00



II2 G Exh IIC T6 Gb
ZONE 1



WEAR PADS

FA 60 008 01



REF.	FA 60 008 00	FA 60 008 01
	EN 795 Type B	EN 795 Type B
	x1	x1
MAT.		
DIM.	---	---
R (kN) / MBS (kN)	12 kN / 23 kN	12 kN / 23 kN
	--- 100 mm → 330 mm	--- 70 mm → 10 mm
+	ATEX 2014/34/EU	ATEX 2014/34/EU
	1.85 KG	1.60 KG



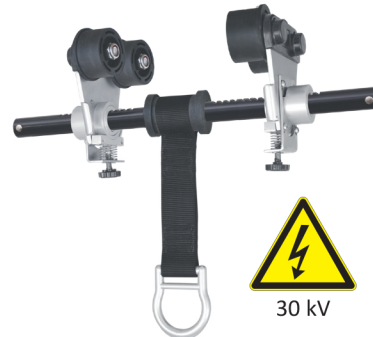
FA 60 008 03



II2 G Exh IIC T6 Gb ZONE 1



FA 60 008 04



REF.	FA 60 008 03	FA 60 008 04
	EN 795 Type B	EN 795 Type B
	x1	x1
MAT.		
DIM.	---	---
R (kN) / MBS (kN)	12 kN / 23 kN	12 kN / 23 kN
	--- 80 mm → 250 mm	--- 80 mm → 250 mm
+	ATEX 2014/34/EU	MAX. DIELECTRIC RESISTANCE = 30 KV
	3.90 KG	3.70 KG

